

Program blocks / 03_Disturbance

DisturbanceClass [FC5]

DisturbanceClass Properties

General

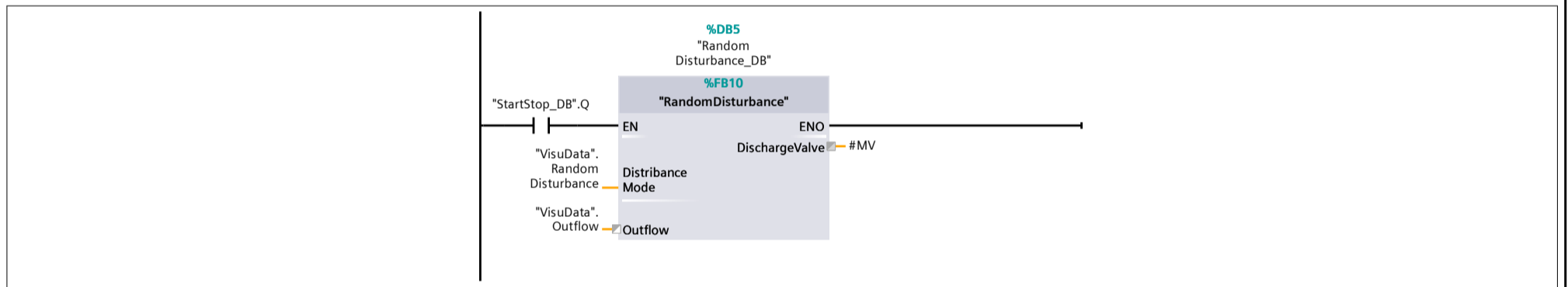
Name	DisturbanceClass	Number	5	Type	FC	Language	LAD
Numbering	Automatic						

Information

Title	DisturbanceClass	Author		Comment		Family	
Version	0.1	User-defined ID					

Name	Data type	Default value
Input		
Output		
InOut		
▼ Temp		
MV	Real	
Constant		
▼ Return		
DisturbanceClass	Void	

Network 1: Call: RandomDisturbance



Network 2: Move: O_DischargeValve

