

## Program blocks / 03\_Disturbance

### RandomDisturbance [FB10]

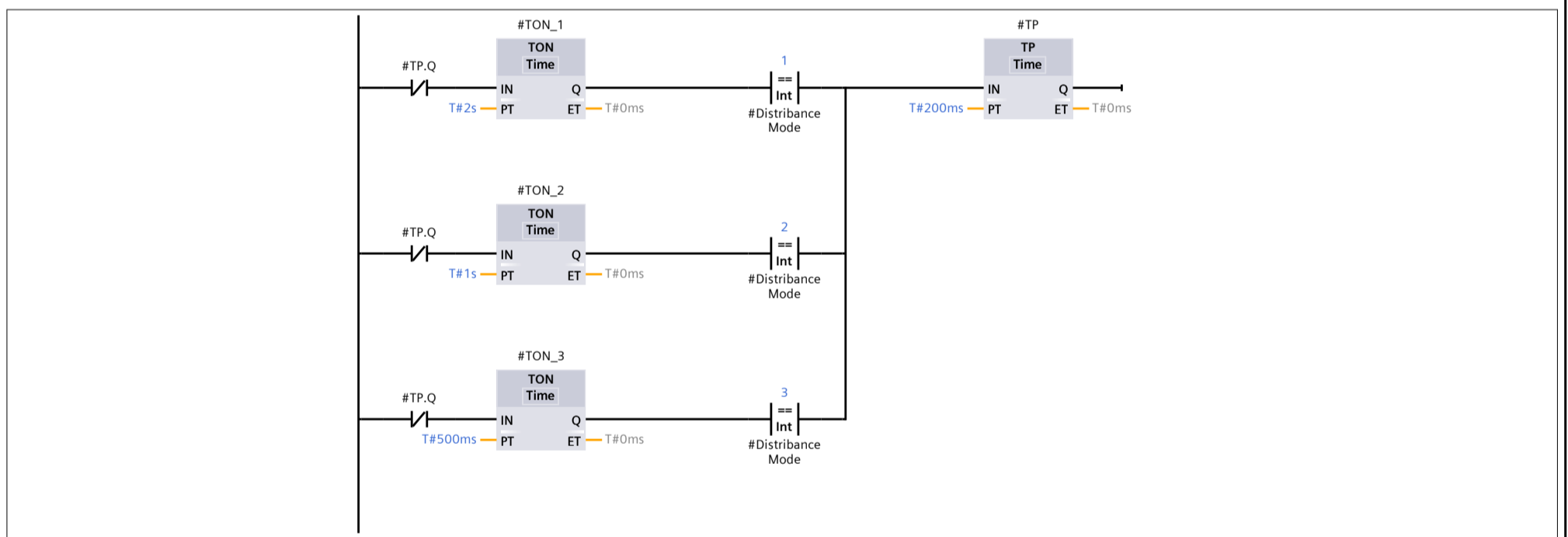
#### RandomDisturbance Properties

General							
Name	RandomDisturbance	Number	10	Type	FB	Language	LAD
Numbering	Automatic						

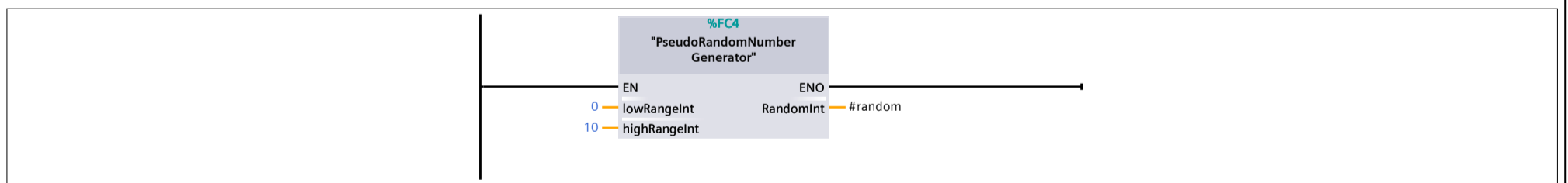
Information							
Title	RandomDisturbance	Author		Comment		Family	
Version	0.1	User-defined ID					

Name	Data type	Default value	Retain
▼ Input			
DisturbanceMode	Int	0	Non-retain
Outflow	Int	0	Non-retain
▼ Output			
DischargeValve	Int	0	Non-retain
InOut			
▼ Static			
TON_1	TON_TIME		Non-retain
TON_2	TON_TIME		Non-retain
TP	TP_TIME		Non-retain
TON_3	TON_TIME		Non-retain
random	Int	0	Non-retain
p_Q	Bool	false	Non-retain
Temp			
Constant			

#### Network 1: Disturbance



#### Network 2: Call: PseudoRandomNumberGenerator



#### Network 3: Move: Discharge

