

05_HMI

V_DisplayPackage [FC28]

V_DisplayPackage Properties

General

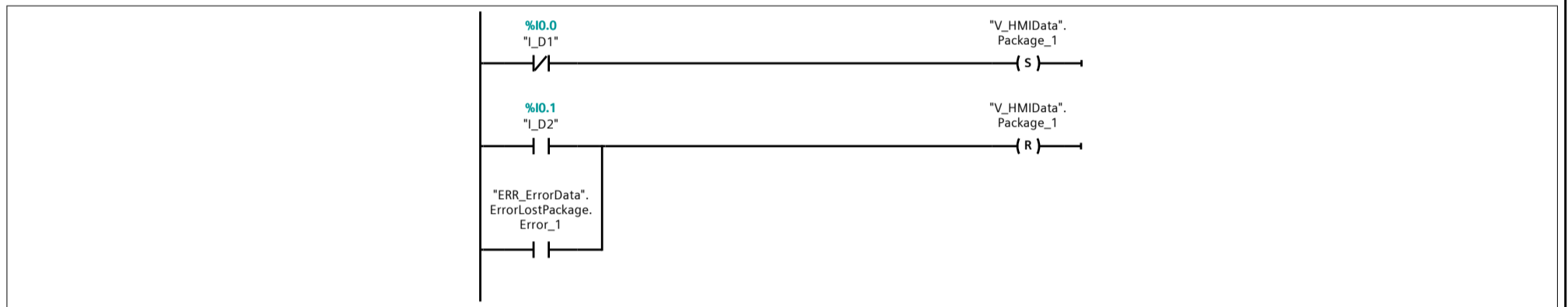
Name	V_DisplayPackage	Number	28	Type	FC	Language	LAD
Numbering	Automatic						

Information

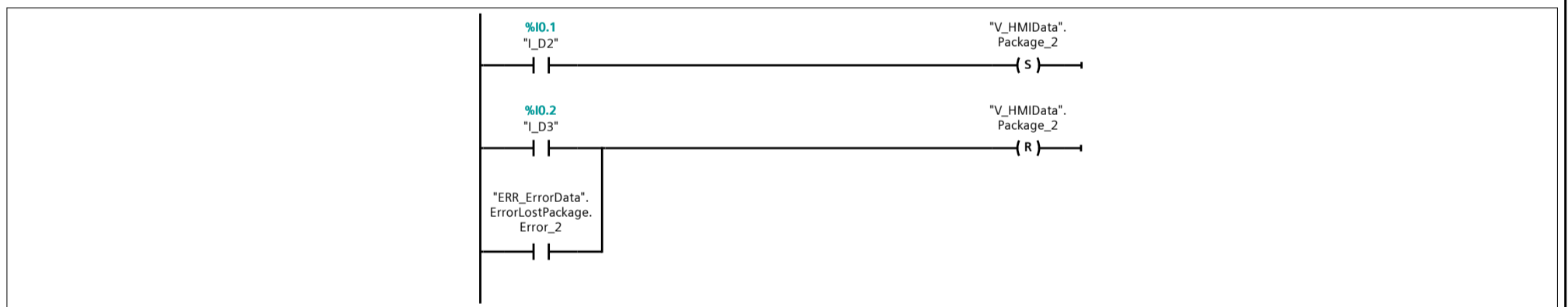
Title	DisplayPackage	Author		Comment		Family	
Version	0.1	User-defined ID					

Name	Data type	Default value
Input		
Output		
InOut		
▼ Temp		
tp1	Bool	
Constant		
▼ Return		
V_DisplayPackage	Void	

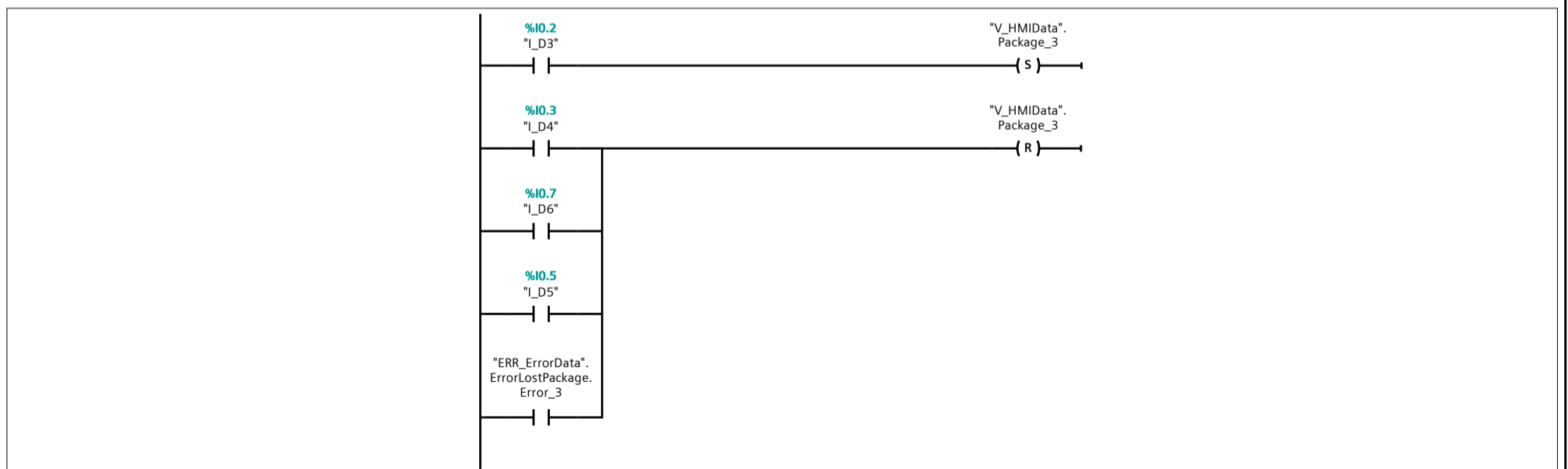
Network 1: Package_1



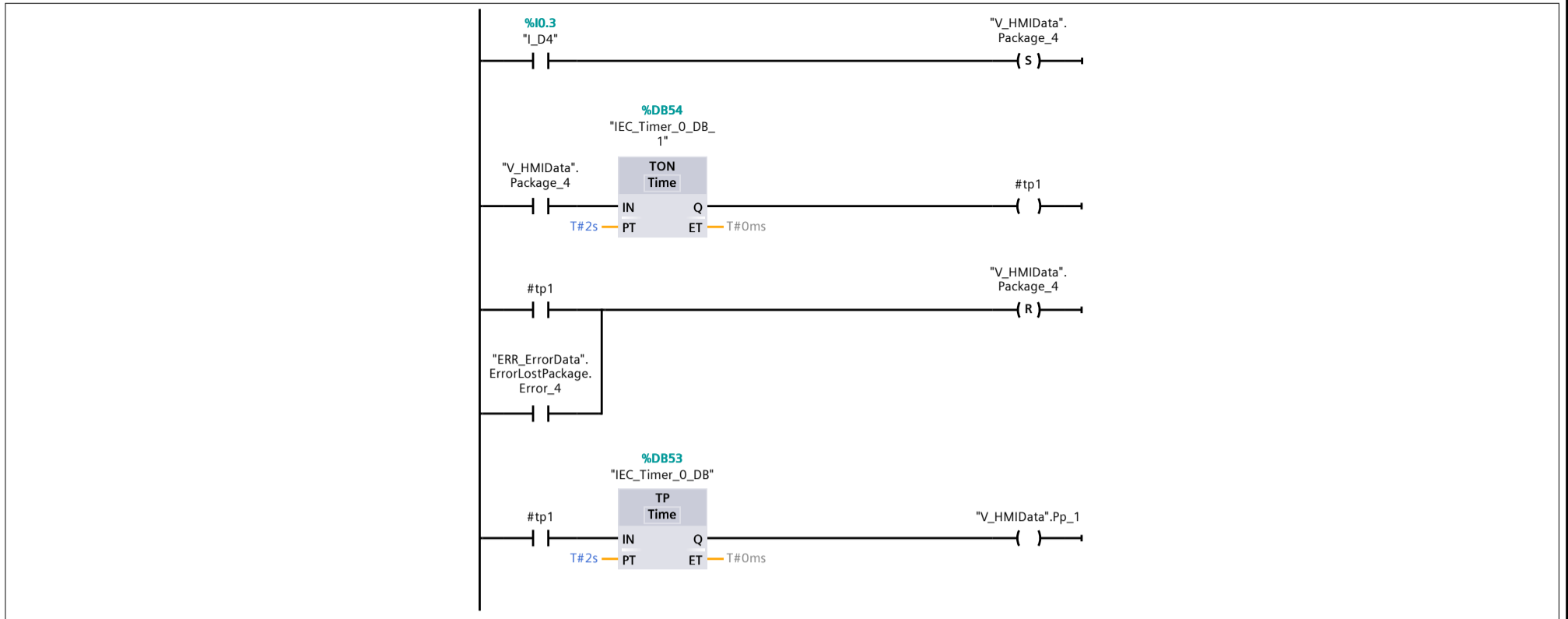
Network 2: Package_2



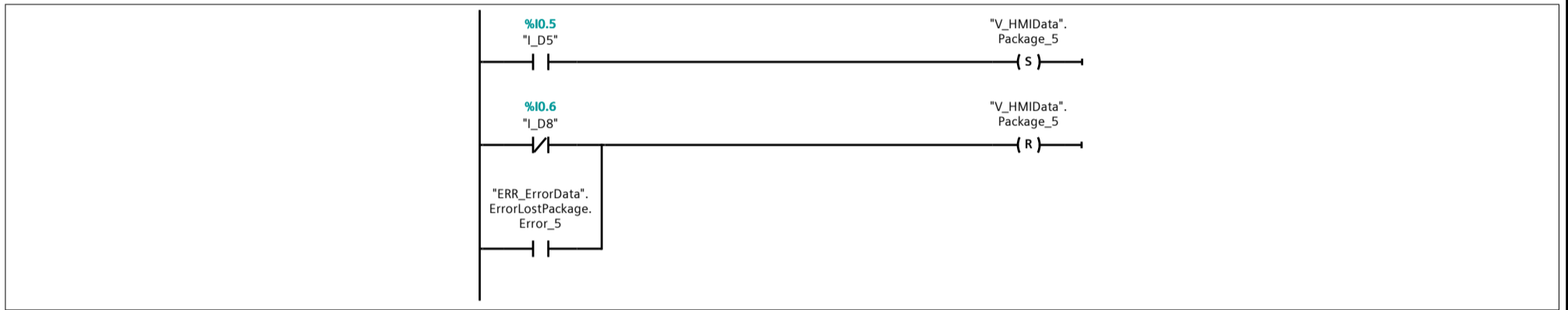
Network 3: Package_3



Network 4: Package_4 - New Version



Network 5: Package_5



Network 6: Package_6

